



Industrial Batteries - Classic GroE

The proven, reliable energy storage

EXIDE Technologies

Network Power

Im Thiergarten

63654 Büdingen

Germany

Tel.: +49 (0) 60 42 / 81 70

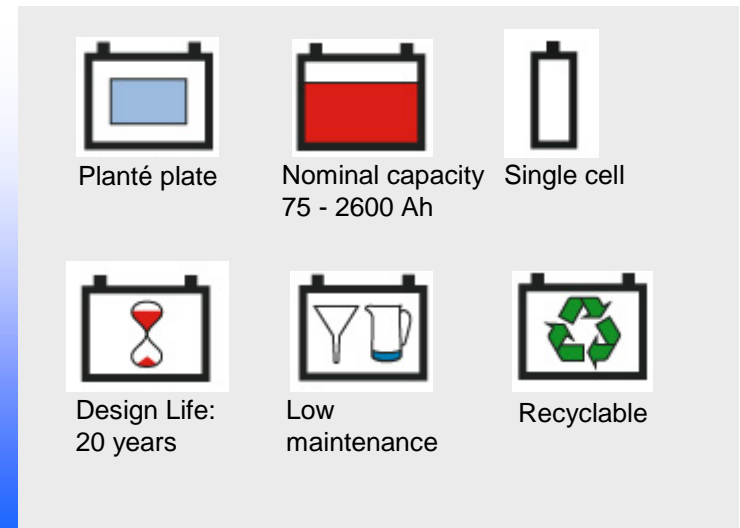
Fax: +49 (0) 60 42 / 81 233

www.networkpower.exide.com

NXCGRTE00001002

Specifications

- 4 Extremely low internal resistance and high current output
- 4 Short and long discharge times; reliably and safely; with a high stable voltage
- 4 Low maintenance; no antimony in the positive plate
- 4 Positive pure-lead, large-format plates with a laminated structure, pasted negative grid plates
- 4 Transparent cell containers in SAN plastic make inspection and maintenance easy
- 4 Minimal water consumption on float charge
- 4 Low self-discharge
- 4 Nominal capacity 75 - 2600 Ah C_{10}
- 4 The high production quality and the extremely low acid density ensure a long Design Life of 20 years and more



Technical characteristics and data

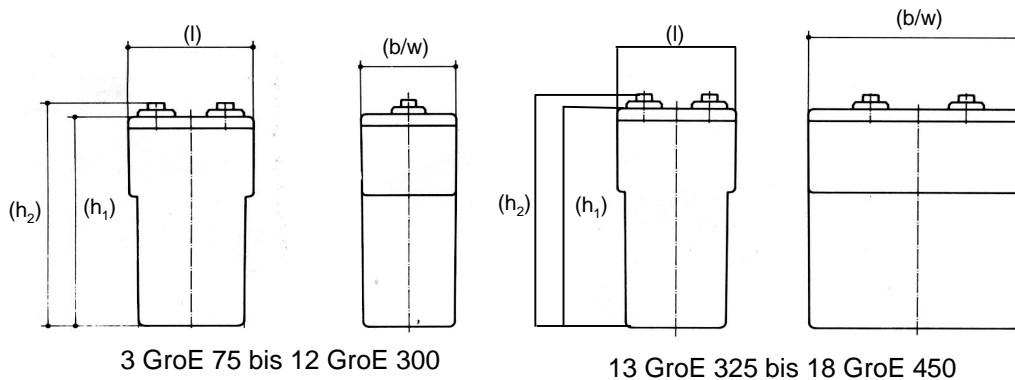


Cells with GroE 25-Plate

Type	Part number	Nominal voltage	Nominal capacity C ₁₀ 1,8 V/C 20 °C	Length (l)	Width (b/w)	Height (h*)	Installed length (B/L)	Weight cell including acid	Weight acid **	Internal resistance	Short circuit current	Terminal	Pole pairs
		V	Ah	max. mm	max. mm	max. mm	mm	ca. kg	ca. kg	mΩ/cell	A		
3 GroE 75	NVGR020075WC0FA	2	75	182	153	388	192	17,5	6,6	0,550	3760	F-M8	1
4 GroE 100	NVGR020100WC0FA	2	100	182	153	388	192	19,7	6,4	0,435	4760	F-M8	1
5 GroE 125	NVGR020125WC0FA	2	125	182	153	388	192	21,9	6,2	0,345	6000	F-M8	1
6 GroE 150	NVGR020150WC0FA	2	150	182	153	388	192	24,1	6,0	0,285	7260	F-M8	1
7 GroE 175	NVGR020175WC0FA	2	175	182	153	388	192	26,3	5,8	0,240	8620	F-M8	1
8 GroE 200	NVGR020200WC0FA	2	200	182	228	388	192	33,2	9,4	0,215	9630	F-M8	1
9 GroE 225	NVGR020225WC0FA	2	225	182	228	388	192	35,4	9,2	0,185	11190	F-M8	1
10 GroE 250	NVGR020250WC0FA	2	250	182	228	388	192	37,6	9,0	0,170	12180	F-M8	1
11 GroE 275	NVGR020275WC0FA	2	275	182	228	388	192	39,8	8,8	0,160	12940	F-M8	1
12 GroE 300	NVGR020300WC0FA	2	300	182	228	388	192	42,0	8,6	0,150	13800	F-M8	1
13 GroE 325	NVGR020325WC0FA	2	325	182	338	388	192	52,5	14,1	0,145	14280	F-M8	2
14 GroE 350	NVGR020350WC0FA	2	350	182	338	388	192	54,7	13,8	0,140	14790	F-M8	2
15 GroE 375	NVGR020375WC0FA	2	375	182	338	388	192	56,9	13,6	0,138	15000	F-M8	2
16 GroE 400	NVGR020400WC0FA	2	400	182	338	388	192	59,1	13,3	0,135	15330	F-M8	2
17 GroE 425	NVGR020425WC0FA	2	425	182	338	388	192	61,3	13,0	0,133	15560	F-M8	2
18 GroE 450	NVGR020450WC0FA	2	450	182	338	388	192	63,5	12,7	0,132	15680	F-M8	2

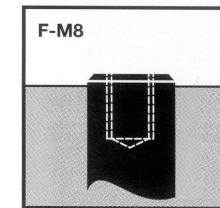
* The above mentioned height can differ depending on the used vent(s)

** Acid density $d_N = 1,22 \text{ kg/l}$



Container, terminal and torque

Container:
SAN (Styrolacrylnitril)



20 Nm

Technical characteristics and data

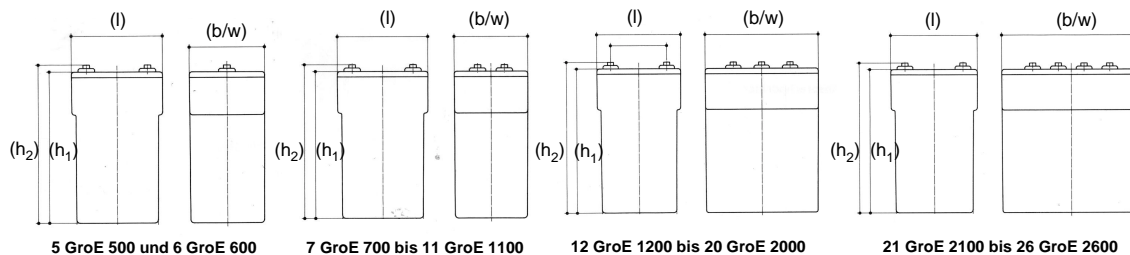


Cells with GroE 100-Plate

Type	Part number	Nominal voltage	Nominal capacity C10 1,8 V/C 20 °C	Length (l)	Width (b/w)	Height (h*)	Installed length (B/L)	Weight cell including acid	Weight acid **	Internal resistance	Short circuit current	Terminal
		V	Ah	max. mm	max. mm	max. mm	mm	ca. kg	ca. kg	mΩ/cell	A	
5 GroE 500	NVGR020500WC0FA	2	500	328	268	567	338	95	34	0,170	12180	F-M8
6 GroE 600	NVGR020600WC0FA	2	600	328	268	567	338	104	33	0,150	13800	F-M8
7 GroE 700	NVGR020700WC0FA	2	700	328	268	567	338	113	32	0,133	15560	F-M8
8 GroE 800	NVGR020800WC0FA	2	800	328	268	567	338	122	31	0,120	17250	F-M8
9 GroE 900	NVGR020900WC0FA	2	900	328	268	567	338	131	30	0,112	18480	F-M8
10 GroE 1000	NVGR021000WC0FA	2	1000	328	268	567	338	140	29	0,105	19710	F-M8
11 GroE 1100	NVGR021100WC0FA	2	1100	328	268	567	338	149	28	0,100	20700	F-M8
12 GroE 1200	NVGR021200WC0FA	2	1200	328	348	567	338	170	39	0,096	21560	F-M8
13 GroE 1300	NVGR021300WC0FA	2	1300	328	348	567	338	179	38	0,093	22190	F-M8
14 GroE 1400	NVGR021400WC0FA	2	1400	328	348	567	338	188	37	0,090	13000	F-M8
15 GroE 1500	NVGR021500WC0FA	2	1500	328	348	567	338	197	36	0,088	23520	F-M8
16 GroE 1600	NVGR021600WC0FA	2	1600	328	438	567	338	222	49	0,087	23790	F-M8
17 GroE 1700	NVGR021700WC0FA	2	1700	328	438	567	338	231	48	0,085	24350	F-M8
18 GroE 1800	NVGR021800WC0FA	2	1800	328	438	567	338	240	47	0,084	24640	F-M8
19 GroE 1900	NVGR021900WC0FA	2	1900	328	438	567	338	249	46	0,083	24850	F-M8
20 GroE 2000	NVGR022000WC0FA	2	2000	328	438	567	338	258	45	0,082	25240	F-M8
21 GroE 2100	NVGR022100WC0FA	2	2100	328	528	567	338	285	58	0,082	25400	F-M8
22 GroE 2200	NVGR022200WC0FA	2	2200	328	528	567	338	294	57	0,081	25560	F-M8
23 GroE 2300	NVGR022300WC0FA	2	2300	328	528	567	338	303	56	0,080	25870	F-M8
24 GroE 2400	NVGR022400WC0FA	2	2400	328	528	567	338	312	55	0,080	26040	F-M8
25 GroE 2500	NVGR022500WC0FA	2	2500	328	573	567	338	325	60	0,079	26200	F-M8
26 GroE 2600	NVGR022600WC0FA	2	2600	328	573	567	338	334	59	0,079	26370	F-M8

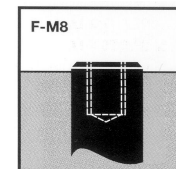
* The above mentioned height can differ depending on the used vent(s)

** Acid density $d_N = 1,22$ kg/l



Container, terminal and torque

Container:
SAN (Styrolacrylnitril)



20 Nm



Constant current discharge



1,90 V/C - Discharge in A at 20°C											
Type	Part number	1min	5min	10min	15min	20min	30min	1 h	3 h	5 h	10 h
3 GroE	75 NVGR020075WC0FA	55,5	55,5	55,5	55,5	51,9	45,9	34,5	18,6	10,8	6,6
4 GroE	100 NVGR020100WC0FA	74,0	74,0	74,0	74,0	69,2	61,2	46,0	24,8	14,4	8,8
5 GroE	125 NVGR020125WC0FA	92,5	92,5	92,5	92,5	86,5	76,5	57,5	31,0	18,0	11,0
6 GroE	150 NVGR020150WC0FA	111,0	111,0	111,0	111,0	103,8	91,8	69,0	37,2	21,6	13,2
7 GroE	175 NVGR020175WC0FA	129,5	129,5	129,5	129,5	121,1	107,1	80,5	43,4	25,2	15,4
8 GroE	200 NVGR020200WC0FA	148,0	148,0	148,0	148,0	138,4	122,4	92,0	49,6	28,8	17,6
9 GroE	225 NVGR020225WC0FA	166,5	166,5	166,5	166,5	155,7	137,7	103,5	55,8	32,4	19,8
10 GroE	250 NVGR020250WC0FA	185,0	185,0	185,0	185,0	173,0	153,0	115,0	62,0	36,0	22,0
11 GroE	275 NVGR020275WC0FA	203,5	203,5	203,5	203,5	190,3	168,3	126,5	68,2	39,6	24,2
12 GroE	300 NVGR020300WC0FA	222,0	222,0	222,0	222,0	207,6	183,6	138,0	74,4	43,2	26,4
13 GroE	325 NVGR020325WC0FA	240,5	240,5	240,5	240,5	224,9	198,9	149,5	80,6	46,8	28,6
14 GroE	350 NVGR020350WC0FA	259,0	259,0	259,0	259,0	242,2	214,2	161,0	86,8	50,4	30,8
15 GroE	375 NVGR020375WC0FA	277,5	277,5	277,5	277,5	259,5	229,5	172,5	93,0	54,0	33,0
16 GroE	400 NVGR020400WC0FA	296,0	296,0	296,0	296,0	276,8	244,8	184,0	99,2	57,6	35,2
17 GroE	425 NVGR020425WC0FA	314,5	314,5	314,5	314,5	294,1	260,1	195,5	105,4	61,2	37,4
18 GroE	450 NVGR020450WC0FA	333,0	333,0	333,0	333,0	311,4	275,4	207,0	111,6	64,8	39,6
5 GroE	500 NVGR020500WC0FA	250,0	250,0	250,0	250,0	242,5	227,5	200,0	106,5	76,5	45,5
6 GroE	600 NVGR020600WC0FA	300,0	300,0	300,0	300,0	291,0	273,0	240,0	127,8	91,8	54,6
7 GroE	700 NVGR020700WC0FA	350,0	350,0	350,0	350,0	339,5	318,5	280,0	149,1	107,1	63,7
8 GroE	800 NVGR020800WC0FA	400,0	400,0	400,0	400,0	388,0	364,0	320,0	170,4	122,4	72,8
9 GroE	900 NVGR020900WC0FA	450,0	450,0	450,0	450,0	436,5	409,5	360,0	191,7	137,7	81,9
10 GroE	1000 NVGR021000WC0FA	500,0	500,0	500,0	500,0	485,0	455,0	400,0	213,0	153,0	91,0
11 GroE	1100 NVGR021100WC0FA	550,0	550,0	550,0	550,0	533,5	500,5	440,0	234,3	168,3	100,1
12 GroE	1200 NVGR021200WC0FA	600,0	600,0	600,0	600,0	582,0	546,0	480,0	255,6	183,6	109,2
13 GroE	1300 NVGR021300WC0FA	650,0	650,0	650,0	650,0	630,5	591,5	520,0	276,9	198,9	118,3
14 GroE	1400 NVGR021400WC0FA	700,0	700,0	700,0	700,0	679,0	637,0	560,0	298,2	214,2	127,4
15 GroE	1500 NVGR021500WC0FA	750,0	750,0	750,0	750,0	727,5	682,5	600,0	319,5	229,5	136,5
16 GroE	1600 NVGR021600WC0FA	800,0	800,0	800,0	800,0	776,0	728,0	640,0	340,5	244,8	145,6
17 GroE	1700 NVGR021700WC0FA	850,0	850,0	850,0	850,0	824,5	773,5	680,0	362,1	260,1	154,7
18 GroE	1800 NVGR021800WC0FA	900,0	900,0	900,0	900,0	873,0	819,0	720,0	383,4	275,4	163,8
19 GroE	1900 NVGR021900WC0FA	950,0	950,0	950,0	950,0	921,5	864,5	760,0	404,7	290,7	172,9
20 GroE	2000 NVGR022000WC0FA	1000,0	1000,0	1000,0	1000,0	970,0	910,0	800,0	426,0	306,0	182,0
21 GroE	2100 NVGR022100WC0FA	1050,0	1050,0	1050,0	1050,0	1018,5	955,5	840,0	447,3	321,3	191,1
22 GroE	2200 NVGR022200WC0FA	1100,0	1100,0	1100,0	1100,0	1067,0	1001,0	880,0	468,6	336,6	200,2
23 GroE	2300 NVGR022300WC0FA	1150,0	1150,0	1150,0	1150,0	1115,5	1046,5	920,0	489,9	351,9	209,3
24 GroE	2400 NVGR022400WC0FA	1200,0	1200,0	1200,0	1200,0	1164,0	1092,0	960,0	511,2	367,2	218,4
25 GroE	2500 NVGR022500WC0FA	1250,0	1250,0	1250,0	1250,0	1212,5	1137,5	1000,0	532,5	382,5	227,5
26 GroE	2600 NVGR022600WC0FA	1300,0	1300,0	1300,0	1300,0	1261,0	1183,0	1040,0	553,8	397,8	236,6

1,875 V/C - Discharge in A at 20°C											
Type	Part number	1min	5min	10min	15min	20min	30min	1 h	3 h	5 h	10 h
3 GroE	75 NVGR020075WC0FA	72,0	72,0	72,0	68,4	63,0	54,0	39,0	19,5	12,9	6,9
4 GroE	100 NVGR020100WC0FA	96,0	96,0	96,0	91,2	84,0	72,0	52,0	26,0	17,2	9,2
5 GroE	125 NVGR020125WC0FA	120,0	120,0	120,0	114,0	105,0	90,0	65,0	32,5	21,5	11,5
6 GroE	150 NVGR020150WC0FA	144,0	144,0	144,0	136,8	126,0	108,0	78,0	39,0	25,8	13,8
7 GroE	175 NVGR020175WC0FA	168,0	168,0	168,0	159,6	147,0	126,0	91,0	45,5	30,1	16,1
8 GroE	200 NVGR020200WC0FA	192,0	192,0	192,0	182,4	168,0	144,0	104,0	52,0	34,4	18,4
9 GroE	225 NVGR020225WC0FA	216,0	216,0	216,0	205,2	189,0	162,0	117,0	58,5	38,7	20,7
10 GroE	250 NVGR020250WC0FA	240,0	240,0	240,0	228,0	210,0	180,0	130,0	65,0	43,0	23,0
11 GroE	275 NVGR020275WC0FA	264,0	264,0	264,0	250,8	231,0	198,0	143,0	71,5	47,3	25,3
12 GroE	300 NVGR020300WC0FA	288,0	288,0	288,0	273,6	252,0	216,0	156,0	78,0	51,6	27,6
13 GroE	325 NVGR020325WC0FA	312,0	312,0	312,0	296,4	273,0	234,0	169,0	84,5	55,9	29,9
14 GroE	350 NVGR020350WC0FA	336,0	336,0	336,0	319,2	294,0	252,0	182,0	91,0	60,2	32,2
15 GroE	375 NVGR020375WC0FA	360,0	360,0	360,0	342,0	315,0	270,0	195,0	97,5	64,5	34,5
16 GroE	400 NVGR020400WC0FA	384,0	384,0	384,0	364,8	336,0	288,0	208,0	104,0	68,8	36,8
17 GroE	425 NVGR020425WC0FA	408,0	408,0	408,0	387,6	357,0	306,0	221,0	110,5	73,1	39,1
18 GroE	450 NVGR020450WC0FA	432,0	432,0	432,0	410,4	378,0	324,0	234,0	117,0	77,4	41,4
5 GroE	500 NVGR020500WC0FA	340,0	340,0	340,0	340,0	320,0	300,0	220,0	117,5	84,0	48,5
6 GroE	600 NVGR020600WC0FA	408,0	408,0	408,0	408,0	384,0	360,0	264,0	141,0	100,8	58,2
7 GroE	700 NVGR020700WC0FA	476,0	476,0	476,0	476,0	448,0	420,0	308,0	164,5	117,6	67,9
8 GroE	800 NVGR020800WC0FA	544,0	544,0	544,0	544,0	512,0	480,0	352,0	188,0	134,4	77,6
9 GroE	900 NVGR020900WC0FA	612,0	612,0	612,0	612,0	576,0	540,0	396,0	211,5	151,2	87,3
10 GroE	1000 NVGR021000WC0FA	680,0	680,0	680,0	680,0	640,0	600,0	440,0	235,0	168,0	97,0
11 GroE	1100 NVGR021100WC0FA	748,0	748,0	748,0	748,0	704,0	660,0	484,0	258,5	184,8	106,7
12 GroE	1200 NVGR021200WC0FA	816,0	816,0	816,0	816,0	768,0	720,0	528,0	282,0	201,6	116,4
13 GroE	1300 NVGR021300WC0FA	884,0	884,0	884,0	884,0	832,0	780,0	572,0	305,5	218,4	126,1
14 GroE	1400 NVGR021400WC0FA	952,0	952,0	952,0	952,0	896,0	840,0	616,0	329,0	235,2	135,8
15 GroE	1500 NVGR021500WC0FA	1020,0	1020,0	1020,0	1020,0	960,0	900,0	660,0	352,5	252,0	145,5
16 GroE	1600 NVGR021600WC0FA	1088,0	1088,0	1088,0	1088,0	1024,0	960,0	704,0	376,0	268,8	155,2
17 GroE	1700 NVGR021700WC0FA	1156,0	1156,0	1156,0	1156,0	1088,0	1020,0	748,0	399,5	285,6	164,9
18 GroE	1800 NVGR021800WC0FA	1224,0	1224,0	1224,0	1224,0	1152,0	1080,0	792,0	423,0	302,4	174,6
19 GroE	1900 NVGR021900WC0FA	1292,0	1292,0	1292,0	1292,0	1216,0	1140,0	836,0	446,5	319,2	184,3
20 GroE	2000 NVGR022000WC0FA	1360,0	1360,0	1360,0	1360,0	1280,0	1200,0	880,0	470,0	336,0	194,0
21 GroE	2100 NVGR022100WC0FA	1428,0	1428,0	1428,0	1428,0	1344,0	1260,0	924,0	493,5	352,8	203,7
22 GroE	2200 NVGR022200WC0FA	1496,0	1496,0	1496,0	1496,0	1408,0	1320,0	968,0	517,0	369,6	213,4
23 GroE	2300 NVGR022300WC0FA	1564,0	1564,0	1564,0	1564,0	1472,0	1380,0	1012,0	540,5	386,4	223,1
24 GroE	2400 NVGR022400WC0FA	1632,0	1632,0	1632,0	1632,0	1536,0	1440,0	1056,0	564,0	403,2	232,8
25 GroE	2500 NVGR022500WC0FA	1700,0	1700,0	1700,0	1700,0	1600,0	1500,0	1100,0	587,5	420,0	242,5
26 GroE	2600 NVGR022600WC0FA	1768,0	1768,0	1768,0	1768,0	1664,0	1560,0	1144,0	611,0	436,8	252,2



