

# Marathon PowerCycle

## Technical data and drawings

### Technical characteristics and data

Type	Part number	Nom. voltage V	Nominal capacity				Length (l)	Width (w)	Height (h)	Weight approx. Kg	Internal resistance mOhm*	Short circuit current A*	Terminal
			C <sub>10</sub> 1.80Vpc 20°C Ah	C <sub>8</sub> 1.75Vpc 25°C Ah	C <sub>3</sub> 1.70Vpc 20°C Ah	C <sub>1</sub> 1.60Vpc 20°C Ah							
M12V100PC	NAMC120100HM0FA	12	100	99	86	72	395	105	287	33,5	5.1	2347	F-M6-90°
M12V155PC	NAMC120155HM0FA	12	155	152	128	105	559	125	283	53,3	3.9	3158	F-M6-90°
M12V190PC	NAMC120190HM0FA	12	190	185	161	134	559	125	318	61	3.5	3558	F-M6-90°

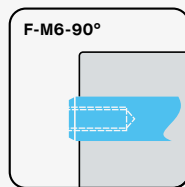
\*According to IEC 60896-21/22

### Container, terminal and torque

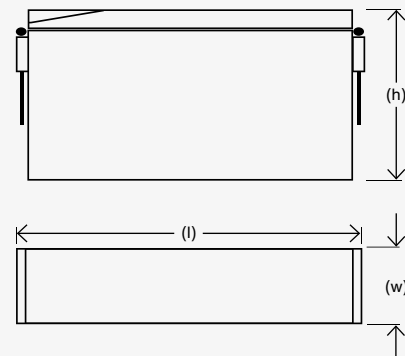
#### Container material:

Standard Polypropylene (PP) according to UL 94 HB or flame retardant Polypropylene (PP) according to UL 94 V-0.

Change »H« to »V« in the part number for UL 94 V-0 version



11 Nm



### M12V100PC / Constant Current Discharge in Ampere at 20 °C

Discharge voltage Vpc	Discharge time																	
	1h	1,5h	2h	2,5h	3h	4h	5h	6h	7h	8h	9h	10h	12h	24h	48h	72h	100h	120h
1.60	72.0	51.4	41.8	34.8	29.3	23.0	18.9	16.1	14.0	12.6	11.6	10.8	9.19	4.86	2.47	1.66	1.20	1.03
1.65	71.0	50.7	41.4	34.5	29.1	22.9	18.8	16.0	13.9	12.5	11.5	10.7	9.12	4.82	2.43	1.65	1.19	1.02
1.70	69.1	49.4	40.7	34.0	28.6	22.4	18.4	15.6	13.6	12.3	11.3	10.5	8.98	4.75	2.39	1.61	1.17	1.00
1.75	67.2	48.0	39.6	33.1	27.8	21.9	18.1	15.5	13.4	12.0	11.1	10.3	8.77	4.64	2.35	1.57	1.14	0.98
1.80	64.8	46.4	38.7	32.3	27.1	21.4	17.7	15.0	13.1	11.7	10.8	10.0	8.50	4.50	2.27	1.53	1.11	0.95
1.85	61.4	44.0	36.8	30.8	26.0	20.6	17.2	14.6	12.7	11.3	10.4	9.6	8.20	4.30	2.17	1.49	1.09	0.93
1.90	56.2	40.3	33.6	28.2	24.0	19.0	15.8	13.4	11.7	10.5	9.6	8.9	7.60	4.00	2.02	1.39	1.02	0.86
1.94	48.0	34.6	29.8	25.2	21.6	17.1	14.2	12.1	10.5	9.4	8.6	8.0	6.80	3.60	1.82	1.25	0.92	0.78

### M12V100PC / Constant Power Discharge in Watt/block at 20°C

Discharge voltage Vpc	Discharge time																	
	1h	1,5h	2h	2,5h	3h	4h	5h	6h	7h	8h	9h	10h	12h	24h	48h	72h	100h	120h
1.60	844	591	490	421	353	274	223	190	165	146	131	119	101.2	52.4	27.2	18.7	13.7	11.6
1.65	839	587	487	418	348	270	220	187	163	145	131	118	100.6	52.1	27.1	18.6	13.6	11.5
1.70	834	584	484	414	344	267	217	185	161	143	129	117	99.3	51.4	26.7	18.4	13.4	11.3
1.75	829	581	480	410	339	263	214	182	159	142	128	116	98.6	51.0	26.5	18.2	13.3	11.3
1.80	810	567	470	401	332	256	209	177	154	140	126	113	96.5	49.9	25.9	17.8	13.0	11.0
1.85	791	553	459	391	324	250	204	173	151	136	122	111	94.0	48.7	25.3	17.4	12.7	10.7
1.90	751	525	432	368	304	234	191	162	141	127	114	104	88.0	45.5	23.7	16.3	11.9	10.1
1.94	637	446	366	311	257	199	163	139	121	109	98	89	75.5	39.1	20.3	14.0	10.2	8.6

# Marathon PowerCycle

## M12V155PC / Constant Current Discharge in Ampere at 20 °C

Discharge voltage Vpc	Discharge time																	
	1h	1,5h	2h	2,5h	3h	4h	5h	6h	7h	8h	9h	10h	12h	24h	48h	72h	100h	120h
1.60	105.0	75.5	61.0	50.0	43.5	34.1	28.4	24.6	21.4	19.0	17.4	16.1	13.59	6.95	3.53	2.42	1.78	1.51
1.65	102.6	75.0	60.0	49.7	43.2	33.8	28.2	24.5	21.3	18.9	17.3	16.0	13.52	6.91	3.51	2.41	1.77	1.50
1.70	100.9	73.9	59.2	49.2	42.7	33.4	28.0	24.3	21.1	18.6	17.1	15.9	13.35	6.81	3.45	2.37	1.74	1.47
1.75	99.1	72.7	58.4	48.4	41.8	33.1	27.8	24.1	20.9	18.4	16.9	15.8	13.25	6.74	3.42	2.35	1.72	1.46
1.80	95.8	70.9	57.2	47.4	40.5	32.2	26.9	23.3	20.4	18.1	16.7	15.5	13.00	6.60	3.35	2.30	1.69	1.43
1.85	89.2	66.9	54.6	45.2	38.7	30.3	25.1	21.6	18.8	16.9	15.5	14.4	12.10	6.40	3.25	2.23	1.64	1.39
1.90	80.5	60.9	49.9	41.5	35.5	27.9	23.1	19.8	17.4	15.6	14.3	13.3	11.20	5.90	2.99	2.06	1.51	1.28
1.94	71.0	54.0	44.4	37.2	32.2	25.2	20.9	17.6	15.4	13.8	12.6	11.7	10.00	5.30	2.69	1.85	1.36	1.15

## M12V155PC / Constant Power Discharge in Watt/block at 20°C

Discharge voltage Vpc	Discharge time																	
	1h	1,5h	2h	2,5h	3h	4h	5h	6h	7h	8h	9h	10h	12h	24h	48h	72h	100h	120h
1.60	1170	845	670	560	505	397	329	278	241	216	193	178	150.0	80.0	41.6	28.6	20.9	17.7
1.65	1161	840	668	557	502	394	327	277	240	215	192	177	148.4	78.9	41.0	28.2	20.6	17.4
1.70	1154	836	665	556	501	392	325	276	239	214	191	176	148.4	78.6	40.8	28.1	20.5	17.3
1.75	1148	832	662	553	500	390	324	275	238	213	190	175	148.4	78.5	40.8	28.0	20.5	17.3
1.80	1137	822	654	545	485	383	320	272	235	212	189	175	147.4	77.9	40.5	27.8	20.3	17.2
1.85	1114	805	639	534	470	373	310	262	227	205	187	172	144.5	77.0	40.0	27.5	20.1	17.0
1.90	1029	747	595	499	439	352	294	246	214	197	176	161	135.8	72.1	37.5	25.8	18.8	15.9
1.94	819	617	504	422	366	291	244	205	182	165	147	135	115.0	61.4	31.9	21.9	16.0	13.6

## M12V190PC / Constant Current Discharge in Ampere at 20 °C

Discharge voltage Vpc	Discharge time																	
	1h	1,5h	2h	2,5h	3h	4h	5h	6h	7h	8h	9h	10h	12h	24h	48h	72h	100h	120h
1.60	134.4	98.1	76.8	64.3	54.2	42.2	34.8	29.2	25.6	22.9	21.2	19.8	16.80	8.60	4.35	2.92	2.18	1.84
1.65	132.5	96.7	76.0	64.1	54.1	42.0	34.6	29.1	25.5	22.8	21.1	19.7	16.72	8.55	4.33	2.91	2.17	1.83
1.70	128.6	93.9	74.9	63.4	53.8	41.5	34.3	28.8	25.3	22.7	20.9	19.5	16.58	8.45	4.30	2.89	2.16	1.81
1.75	124.8	91.1	73.0	61.4	52.3	41.1	33.9	28.4	25.1	22.5	20.8	19.4	16.44	8.35	4.26	2.86	2.14	1.80
1.80	120.0	89.3	70.1	58.4	49.9	39.2	32.5	27.8	24.6	22.0	20.4	19.0	16.20	8.25	4.20	2.82	2.10	1.77
1.85	117.1	87.8	67.2	55.7	47.3	37.4	31.1	26.6	23.5	21.1	19.5	18.3	15.60	8.15	4.15	2.79	2.05	1.73
1.90	107.5	80.6	62.4	51.4	44.6	35.3	29.3	25.0	21.9	19.5	17.9	16.8	14.40	7.30	3.72	2.50	1.83	1.55
1.94	86.4	64.8	53.6	44.6	38.6	30.6	25.5	22.0	19.3	17.3	15.9	14.8	12.70	6.50	3.31	2.22	1.63	1.38

## M12V190PC / Constant Power Discharge in Watt/block at 20°C

Discharge voltage Vpc	Discharge time																	
	1h	1,5h	2h	2,5h	3h	4h	5h	6h	7h	8h	9h	10h	12h	24h	48h	72h	100h	120h
1.60	1571	1183	904	742	635	501	412	351	308	276	248	226	191.1	105.1	54.6	37.5	27.4	23.2
1.65	1552	1164	892	737	630	498	410	349	307	275	247	225	190.1	104.6	54.3	37.4	27.3	23.1
1.70	1533	1145	885	732	626	495	407	347	306	273	246	224	189.2	104.1	54.1	37.2	27.2	23.0
1.75	1503	1125	879	728	621	492	405	345	304	271	244	222	188.2	103.5	53.8	37.0	27.0	22.8
1.80	1455	1086	858	718	611	483	402	343	301	268	242	220	186.2	102.4	53.2	36.6	26.7	22.6
1.85	1407	1048	825	708	601	475	396	339	297	264	238	216	183.3	101.8	52.9	36.4	26.6	22.5
1.90	1228	950	788	674	580	460	380	326	285	253	228	206	175.7	96.7	50.2	34.5	25.2	21.3
1.94	1023	765	646	556	494	389	318	274	238	211	192	174	147.2	84.6	43.9	30.2	22.1	18.7